

SIFONI DI RAFFREDDAMENTO serie : SER

Syphons series : SER

I sifoni di raffreddamento o "serpentine" si dividono in 2 tipologie : *The syphons are divided in 2 typologies :*
 - serie : SEROT --> in ottone nichelato / PN 25-40 ; *- series : SEROT --> nickel plated brass / PN25-40 ;*
 - serie : SERIN --> in acciaio inox AISI 316 / PN 400. *- series : SERIN --> stainless steel AISI 316 / PN 400.*

SEROT

Le serpentine serie SEROT sono serpentine di raffreddamento in ottone nichelato, aventi un tubo diametro 8 mm. Idonee quali portamanometri secondo la direttiva 97/23/CE Tabella 7, Art 3, comma 3.

The syphons series SEROT are cooling syphon entirely in nickel plated brass, with tube dial 8 mm. They are suitable for the pressure gauges in according with technical requirements of directive 97/23/CE, Table 7, Art 3, comma 3.

Materiale : Ottone nichelato

Diametro tubo : 8 mm

Attacchi : 1/4" - 3/8" - 1/2"

Tipologia attacchi : GAS maschio x femmina girevole

PN : 25 /40

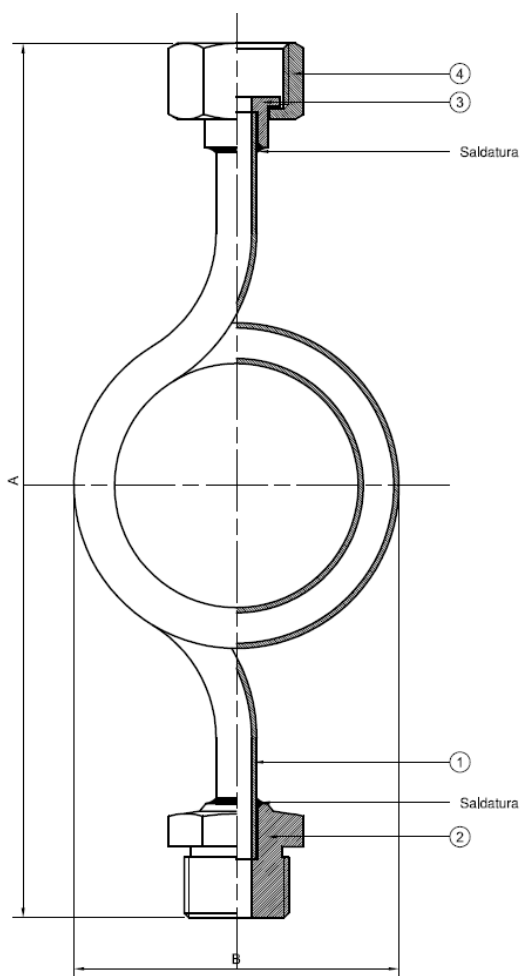
Material : Nickel plated brass

Tube dial : 8 mm

Connections : 1/4" - 3/8" - 1/2"

Connections type : BSPP male x female swivelling

PN : 25 /40



SEROT

DN	A	B
1/4"	170 mm	64 mm
3/8"	170 mm	64 mm
1/2"	172 mm	64 mm

- 1) Tubo / Tube
- 2) Attacco maschio / Male connection
- 3) Calotta / Calotte
- 4) Codolino / Tank

N.B.Saldatura ossiacetilenica con materiale di apporto in lega di rame e fosforo.
N.B. Oxyacetylene welding with provision material in copper and phosphorus alloy.



SERIN

DN	A	B
1/4"	195 mm	70 mm
3/8"	203 mm	70 mm
1/2"	210 mm	70 mm

Le serpentine serie SERIN sono serpentine di raffreddamento in acciaio inox AISI 316 L, aventi un tubo diametro 10 mm.

The syphons series SERIN are cooling syphon entirely in stainless steel AISI 316 L, with tube dial 10 mm.

Materiale : AISI 316 L

Diametro tubo : 10 mm

Attacchi : 1/4" - 3/8" - 1/2"

Tipologia attacchi : GAS o NPT maschio x femmina girevole

Rating : 400 bar (6000 psi)

Material : AISI 316

Tube dial : 10 mm

Connections : 1/4" - 3/8" - 1/2"

Connections type : BSPP or NPT male x female swivelling

Rating : 400 bar (6000 psi)

SERIN



Automazioni Misure & Controlli S.r.L.
 Via Pietro L'Eremita, 3 - 00162 - Roma (Italy)
 Tel. : +39.06.44260668 / +39.06.44202185
 Fax : +39.0623328444
 Mail : info@amecroma.com
 Web : www.amecroma.com
 Web : www.imanometri.com