

# RUBINETTI "PORTAMANOMETRO" IN OTTONE serie : VALOT

## Brass valves for gauges series : VALOT

Le valvole serie VALOT sono dei rubinetti in ottone, a due vie o a tre vie con flangetta di prova, con attacchi maschio femmina. Idonee quali portamanometri secondo la direttiva 97/23/CE Tabella 7, Art 3, comma 3.

The valve series VALOT are cock valve entirely in brass, two ways or three ways with test flange, with male - female connections. They are suitable for the pressure gauges in according with technical requirements of directive 97/23/CE, Table 7, Art 3, comma 3.

**Materiale :** Ottone

**Attacchi :** 1/4" - 3/8" - 1/2"

**Tipologia attacchi :** GAS maschio x femmina

**PN :** 10 / 16 / 25



**Material :** Brass

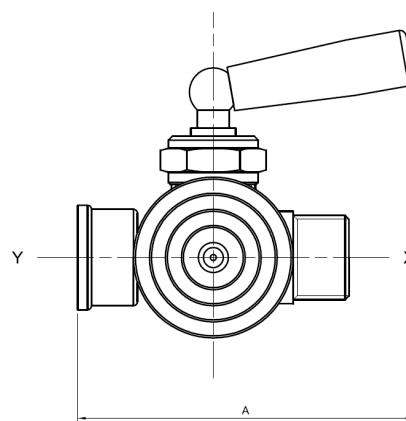
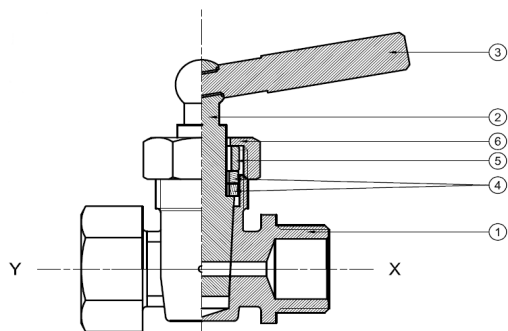
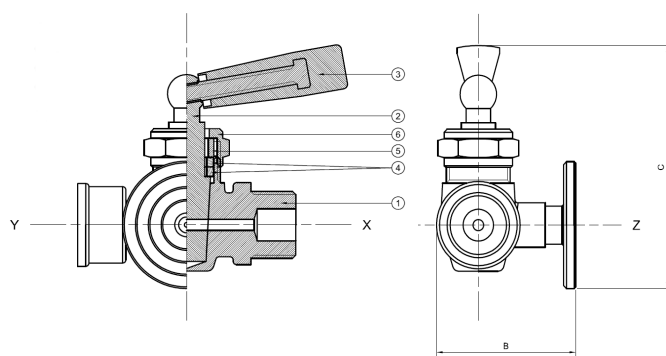
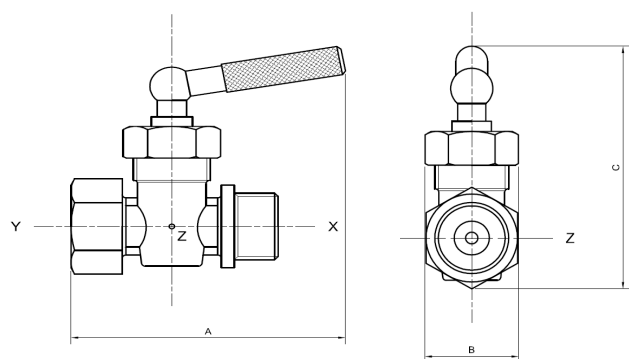
**Connections :** 1/4" - 3/8" - 1/2"

**Connections type :** BSP male x female

**PN :** 10 / 16 / 25



- 1) Corpo / Body
- 2) Attacco maschio / Male connection
- 3) Maniglia / Handle
- 4) Guarnizione / Gasket
- 5) Premistoppa / Gland
- 6) Calotta / Calotte



**DUE VIE - TWO WAYS**

**TRE VIE - THREE WAYS**

DN	A	B	C
1/4"	73 mm	27 mm	66,5 mm
3/8"	73 mm	27 mm	66,5 mm
1/2"	75 mm	27 mm	72 mm

DN	A	B	C
1/4"	78 mm	45,5 mm	77 mm
3/8"	78 mm	45,5 mm	77 mm
1/2"	84 mm	46 mm	77 mm



Automazioni Misure & Controlli S.r.L.  
 Via Pietro L'Eremita, 3 - 00162 - Roma (Italy)  
 Tel. : +39.06.44260668 / +39.06.44202185  
 Fax : +39.0623328444  
 Mail : info@amecroma.com  
 Web : www.amecroma.com  
 Web : www.imanometri.com

